

EasyGyn^V_®

ORIGINAL



The most intuitive for
Women. Made for short
period treatments, like
anti-infective and
probiotic treatments.

www.easygyn.com



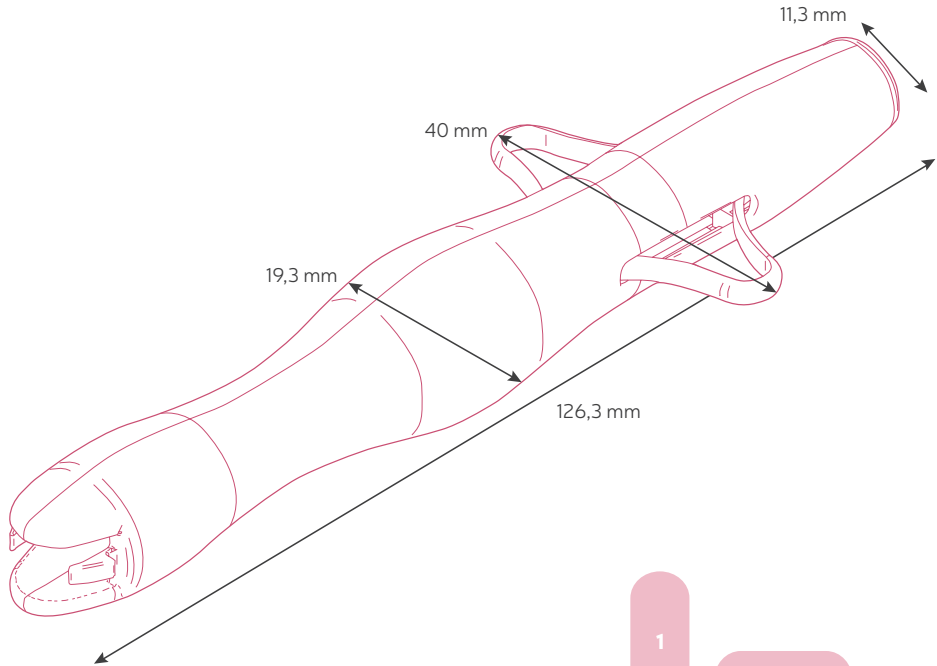
SHAPING MEDICAL TECHNOLOGY

Cofinanciado por:



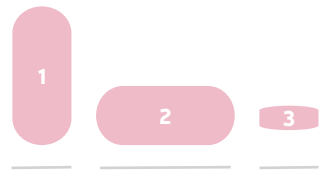
PRODUCT SHEET

WE ADAPT *OUR DEVICE* TO
YOUR DRUG FORMAT.



material HDPE and PP

D18



1	14±4 mm
2	6±2.5 MM
3	5±1.5 mm

Technical information

- Design registration OHIM n° 002126094-0001
- Patented
- CE Marking
- DMF
- Manufacture under ISO 8 Certified - Class 100,000 clean room conditions.

SOLIDS



Ø [12.6 - 14.4mm]